

# CSS-A10

V1.0

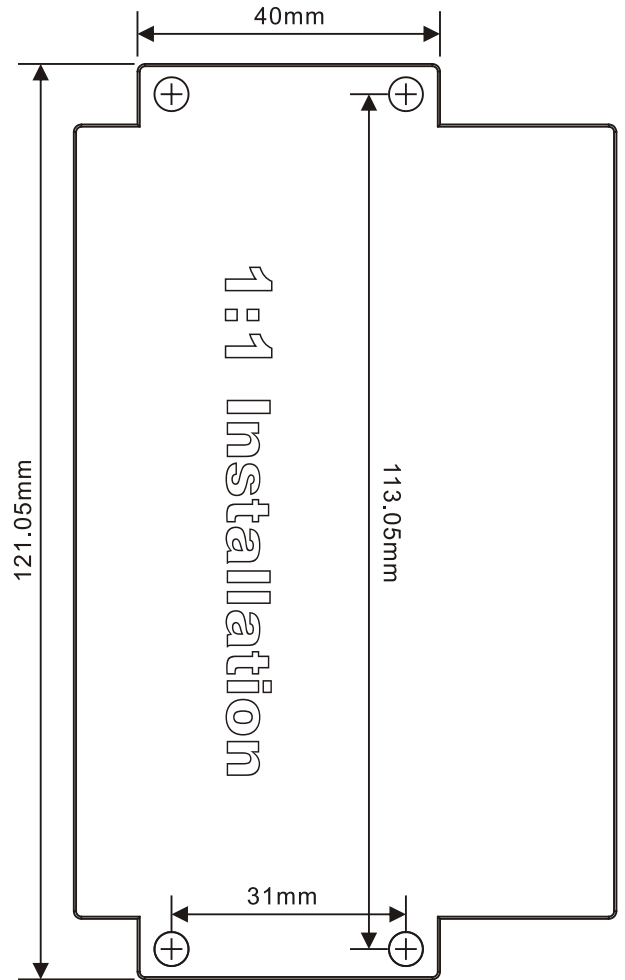
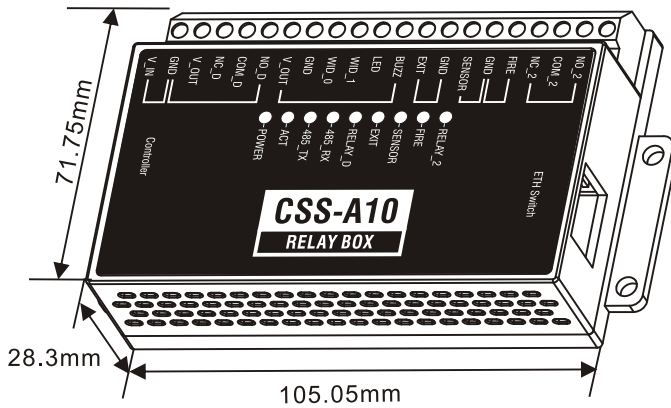
## INSTALLATION HW 1.0

### A. Package Content

Controller x 1, installation guide x 1, Accessory kit x 1  
 Accessory kit : screw x 4, screw anchors x 4, diode (1N4004) x 1

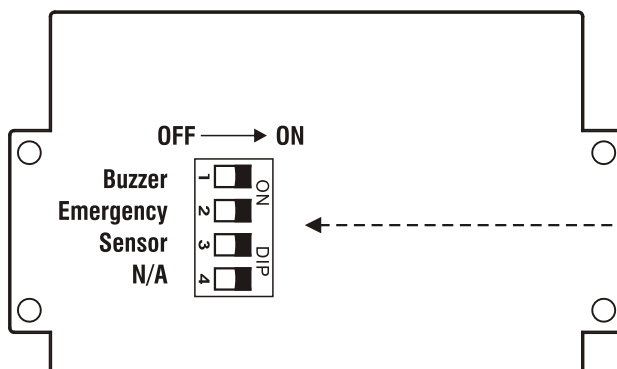
### B. Specification

- Voltage input range : 9 ~ 24 VDC
- Recommend power :  
 DC 12V 1A (Does not include door lock power supply)  
 DC 12V 2A (Includes door lock power supply)
- Wiegand range: Max 100M
- Relay supports Max 30VDC 3A (AC POWER does not support)

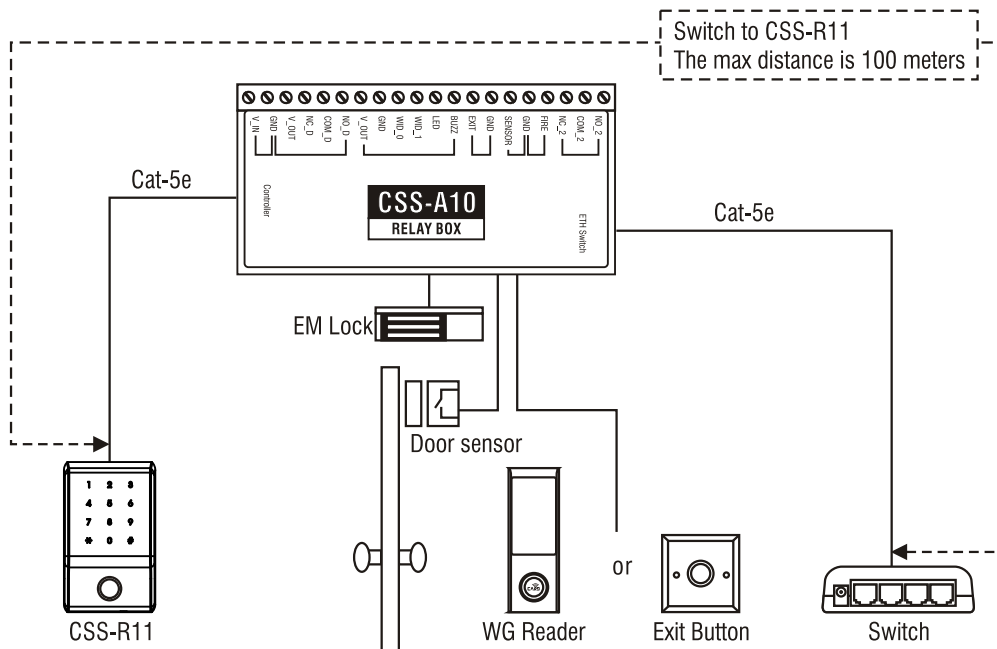


### C. Description of the back side

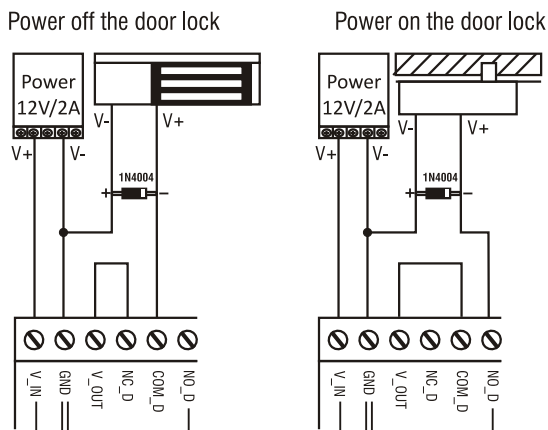
<b>Buzzer</b>	Buzzer switch	<input checked="" type="checkbox"/> Enable (default) <input type="checkbox"/> ON	<input type="checkbox"/> Disable <input checked="" type="checkbox"/> OFF
<b>Emergency</b>	Emergency Mode	When the controller is offline, exit button still function without controller	<input checked="" type="checkbox"/> Enable (default) <input type="checkbox"/> ON <input type="checkbox"/> Disable <input checked="" type="checkbox"/> OFF
<b>Sensor</b>	Door sensor detection switch	<input checked="" type="checkbox"/> Enable (default) <input type="checkbox"/> ON	<input type="checkbox"/> Disable <input checked="" type="checkbox"/> OFF
<b>N/A</b>	Rerseve		



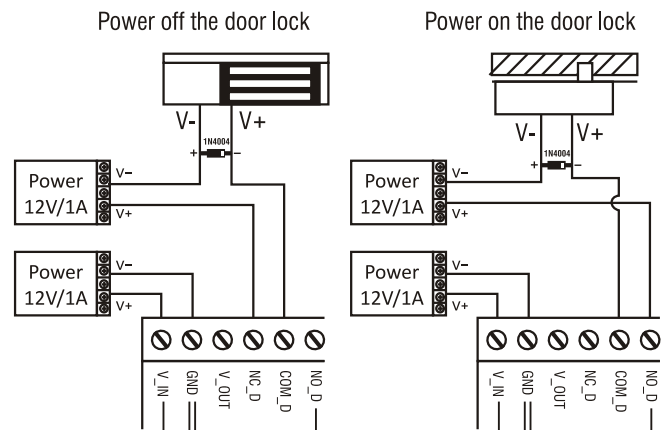
## D. Structure



### The door locks use a common power supply



### The door locks use a separate power supply



## E. Wiring Diagram

